

Product Specification

| | |
|-------------|--------------------|
| Description | LED Amusement Lamp |
| Model NO | YJLED-019-S15Y |

Product Picture



Ip44 CE 

Product Application

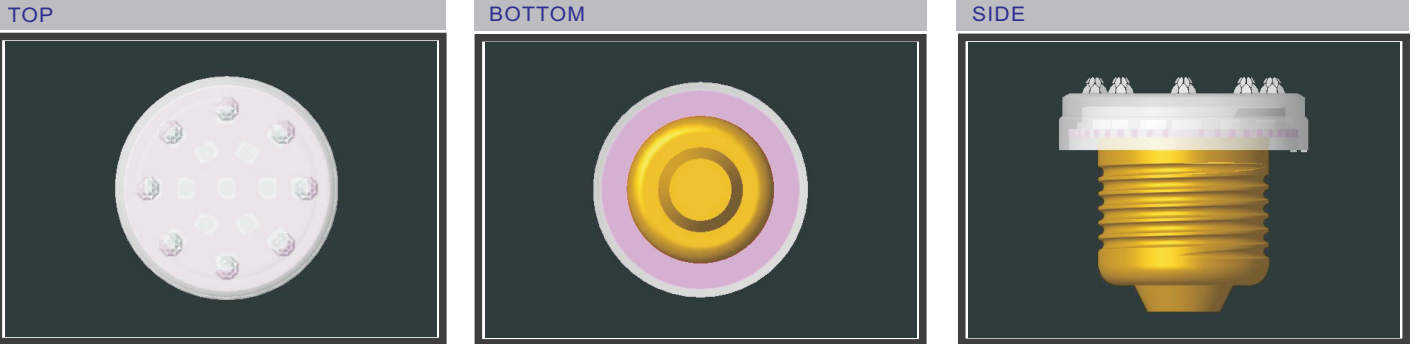


Amusement LED Lamps are widely used in the park, Theme park, amusement park and all kinds of amusement machines

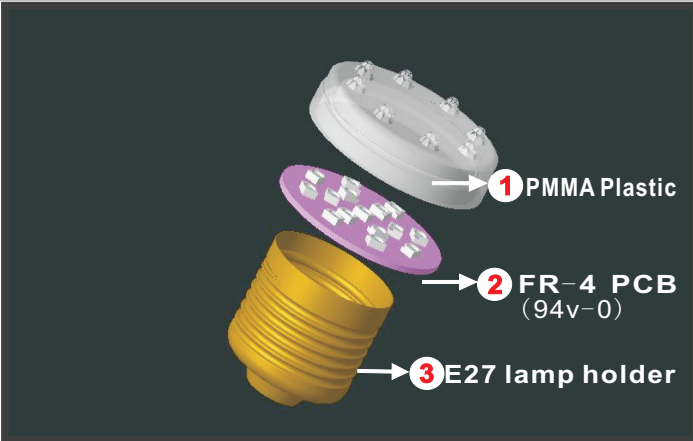


SHENZHEN AGLARE LIGHTING CO., LTD
Web: www.aglare.cn / www.amusementlamp.com
Email: aglare@aglare.cn
Tel: +86-75588868631

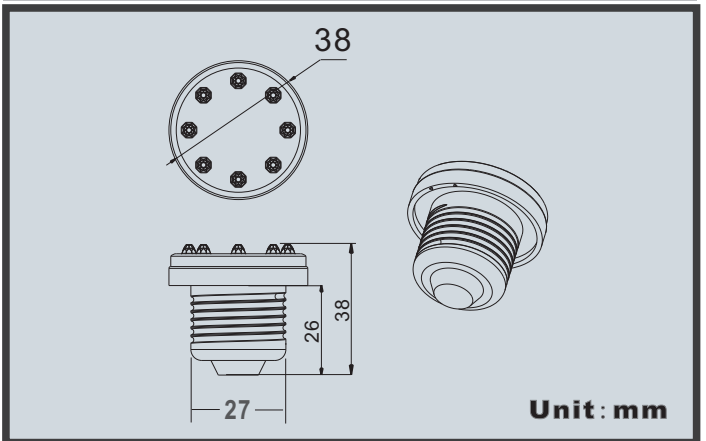
Product Structure



Product Material



Product size

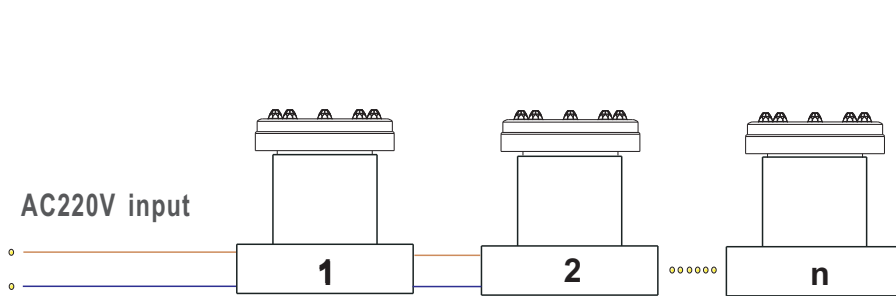


Product Parameters

| Part No. | Voltage | Color | Watts | LEDs | IP | Beam angle | Weight |
|----------------|---------|-------|----------|---------------|------|------------|--------|
| YJLED-019-S15Y | AC220V | | max1.25W | 15pcs 3528 | Ip44 | 120° | 13.6g |

R: 625-630nm G: 520-525nm B: 465-470nm Y: 585-595nm O: 600-605nm P: 390-410nm

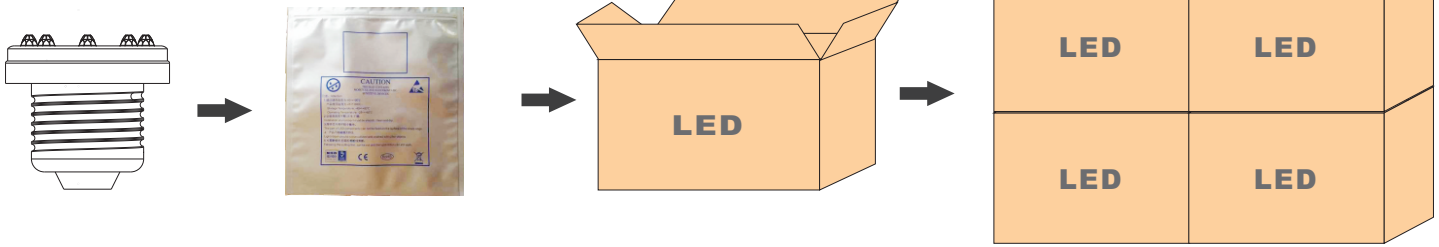
Product Installation



Note:

- 1 The power supply output is AC220v.
- 2 The main wire per square mm up to 10A current
- 3 The distance between the controller and the lamp or the lamp and the lamp must be less than 5 meters, Otherwise you need to connect the signal amplifier
- 4 Please note that the signal line and high voltage line separation

Product Package



| WEIGHT/PCS | Box Size | G. W | PCS/CARTON | CARTON SIZE |
|------------|------------|--------|------------|-------------|
| 13.6g | 28*28*16cm | 14.4Kg | pcs | 60*30*35cm |

Instructions :

K=K Material Carton
Electrostatic bag

Caution

Please read the specification before used :

Working temperature range -25°C - 45°C

Working voltage range less than $\pm 10\%$

Please turn off the power before installation