

# Product Specification

Description	LED Amusement Lamp
Model NO	YJLED-061-SV12RGBW

## Product Picture



Ip65 CE



## Product Application

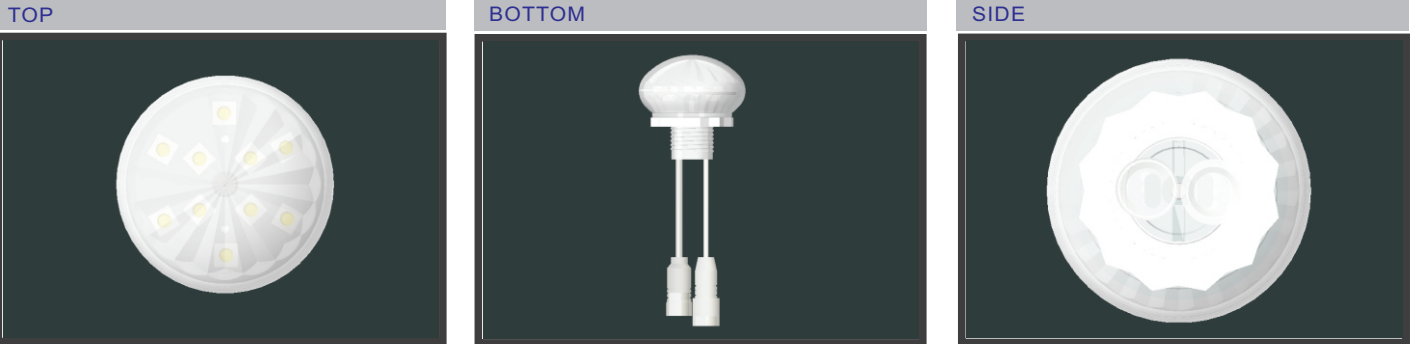


Amusement LED Lamps are widely used in the park, Theme park, amusement park and all kinds of amusement machines

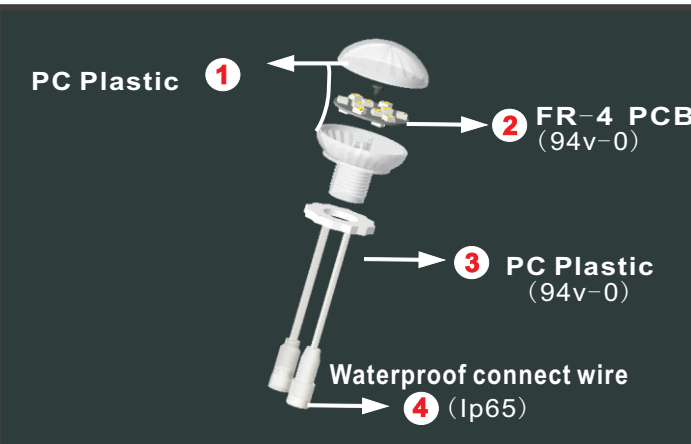


**SHENZHEN AGLARE LIGHTING CO., LTD**  
Web: [www.aglare.cn](http://www.aglare.cn) / [www.amusementlamp.com](http://www.amusementlamp.com)  
Email: [aglare@aglare.cn](mailto:aglare@aglare.cn)  
Tel: +86-75588868631

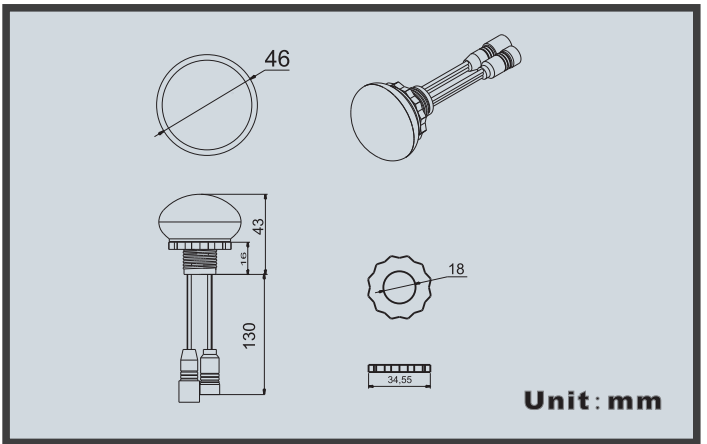
## Product Structure



### Product Material



### Product size

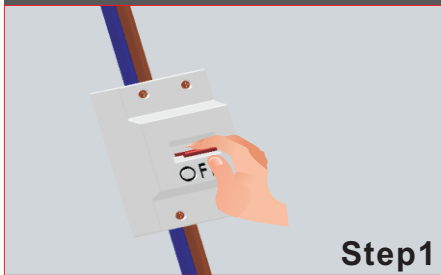


## Product Parameters

Part No.	Voltage	Color	Watts	LEDs	IP	Beam angle	Weight
YJLED-061-SV12RGBW	DC24V		2W	12pcs RGBW5050	Ip65	240°	36g

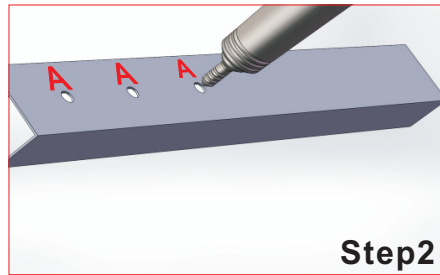
R: 625-630nm G: 520-525nm B: 465-470nm Y: 585-595nm O: 600-605nm P: 390-410nm

## Product Installation



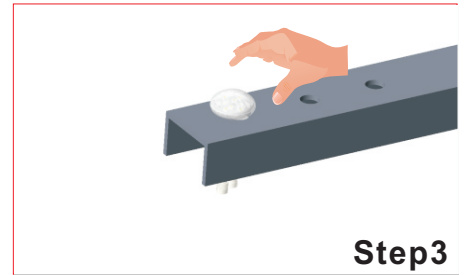
Step1

Turn off the power



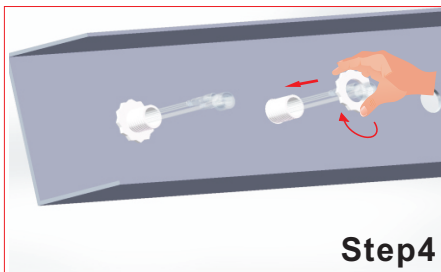
Step2

Drill hole ( $\varnothing = 19\text{mm} \sim 23\text{mm}$ )  
(A to A = 100mm ~ 200mm)



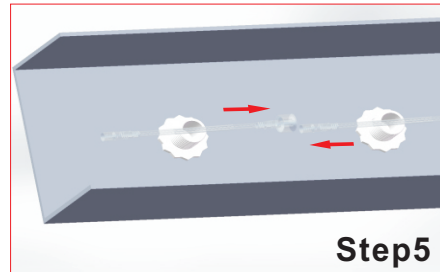
Step3

Through the lamp into the hole



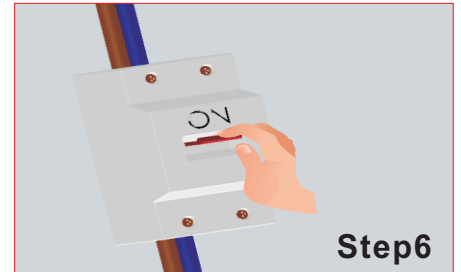
Step4

Use the ring to lock this lamp.



Step5

Connect the waterproof wire.



Step6

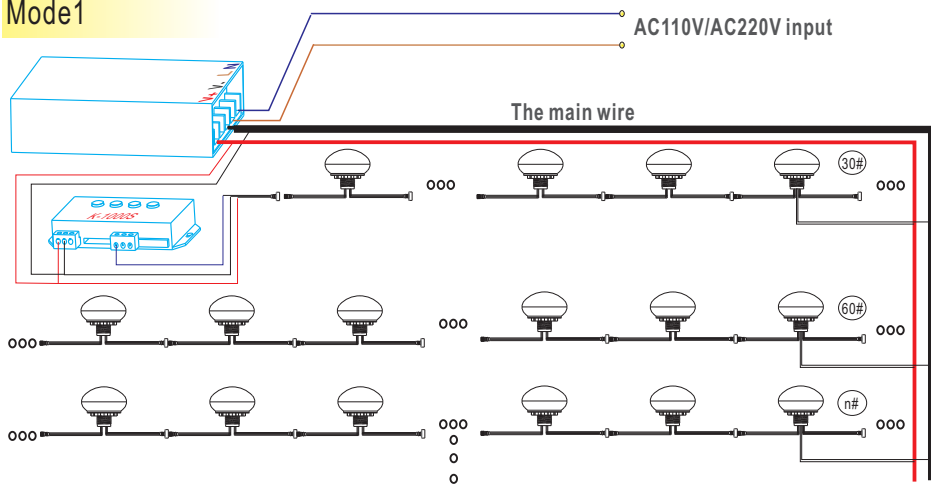
Turn on the power



**SHENZHEN AGLARE LIGHTING CO., LTD**  
 Web: [www.aglare.cn/](http://www.aglare.cn/) [www.amusementlamp.com](http://www.amusementlamp.com)  
 Email: [aglaren@aglaren.cn](mailto:aglaren@aglaren.cn)  
 Tel: +86-75588868631

## Product Wiring Diagram

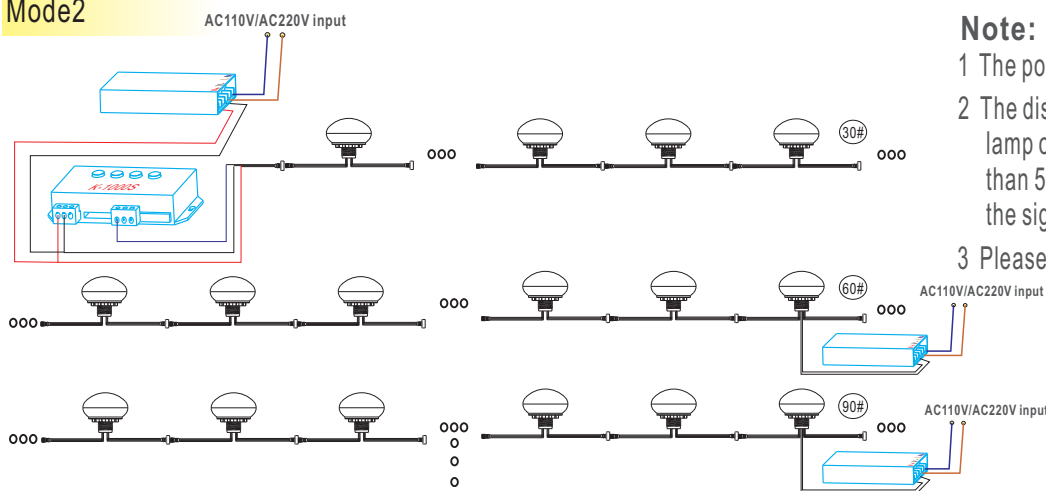
### Mode1



#### Note:

- 1 The power supply output is DC24v, >n\*2W
- 2 We offer one power wire for bulbs for per 30 pixel lamps
- 3 The main wire per square mm up to 10A current
- 4 The distance between the controller and the lamp or the lamp and the lamp must be less than 5 meters, Otherwise you need to connect the signal amplifier
- 5 Please note that the signal line and high voltage line separation

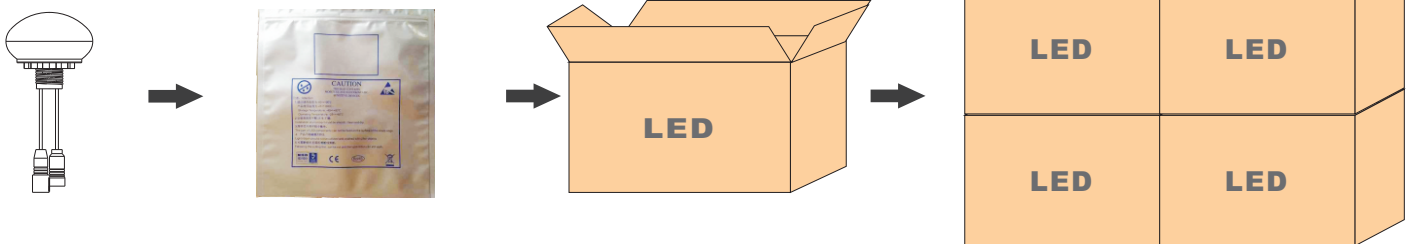
### Mode2



#### Note:

- 1 The power supply output is DC24v, >60W
- 2 The distance between the controller and the lamp or the lamp and the lamp must be less than 5 meters, Otherwise you need to connect the signal amplifier
- 3 Please note that the signal line and high voltage line separation

## Product Package



WEIGHT/PCS	Box Size	G. W	PCS/CARTON	CARTON SIZE
36g	28*28*16cm	17Kg	360PCS	60*30*35cm

#### Instructions:

K=K Material Carton  
Electrostatic bag

### Caution

#### Please read the specification before used:

Working temperature range -25°C-45°C

Working voltage range less than +\_10%

Please turn off the power before installation



**SHENZHEN AGLARE LIGHTING CO., LTD**

Web: [www.aglare.cn/](http://www.aglare.cn/) [www.amusementlamp.com](http://www.amusementlamp.com)

Email: [aglare@aglare.cn](mailto:aglare@aglare.cn)

Tel: +86-75588868631