

Product Specification

Description	LED Amusement Lamp
Model NO	YJLED-006G-SV14RGB

Product Picture



Ip65 CE RoHS

Product Application



Amusement LED Lamps are widely used in the park, Theme park, amusement park and all kinds of amusement machines

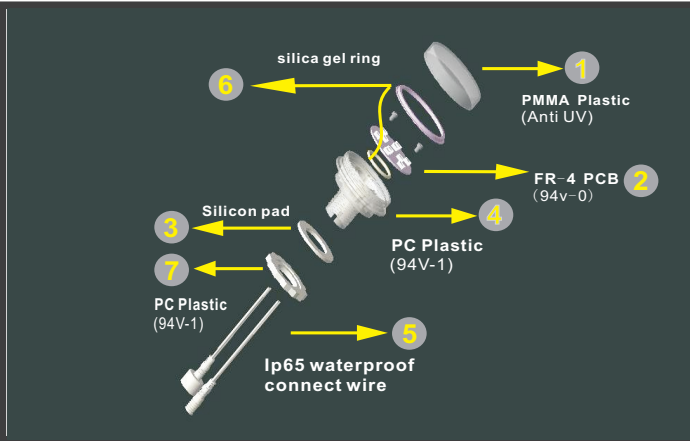


SHENZHEN AGLARE LIGHTING CO., LTD
Web: www.aglare.cn / www.amusementlamp.com
Email: aglare@aglare.cn
Tel: +86-75588868631

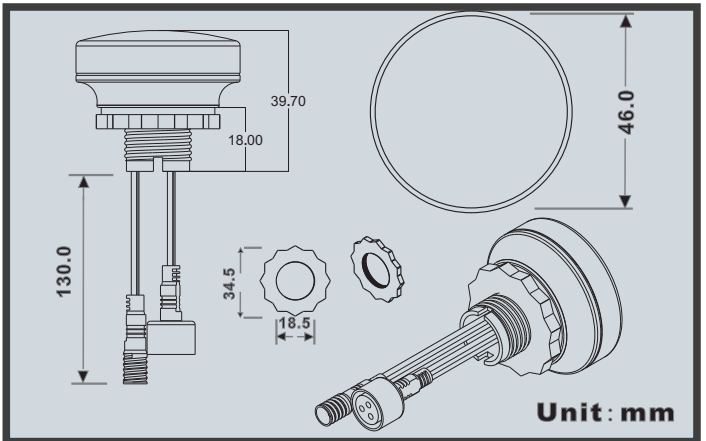
Product Structure



Product Material



Product size

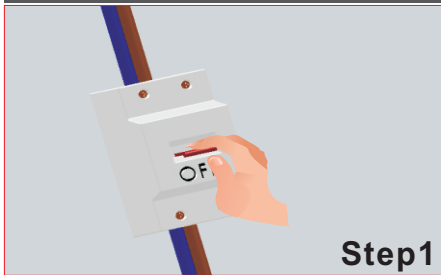


Product Parameters

Part No.	Voltage	Color	Watts	LEDs	IP	Beam angle	Weight
YJLED-006G-SV14RGB	DC24V		max1.9W	14pcs RGB5050	Ip65	120°	41g

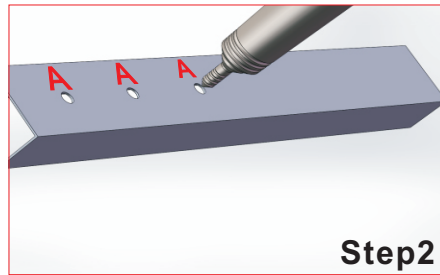
R: 625-630nm G: 520-525nm B: 465-470nm Y: 585-595nm O: 600-605nm P: 390-410nm

Product Installation



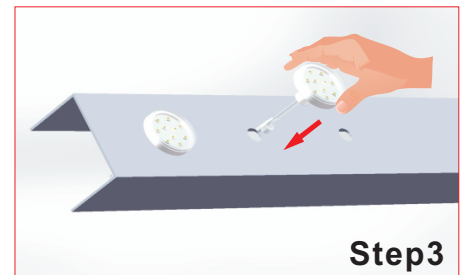
Step1

Turn off the power



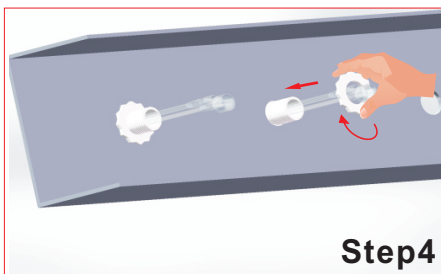
Step2

Drill hole ($\varnothing=19\text{mm}\sim 23\text{mm}$)
(A to A=100mm~200mm)



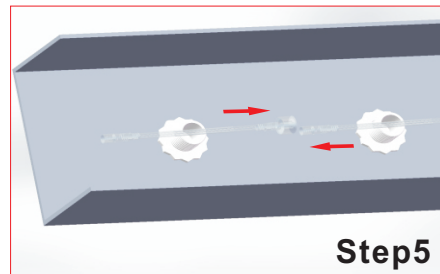
Step3

Through the lamp into the hole



Step4

Use the ring to lock this lamp.



Step5

Connect the waterproof wire.



Step6

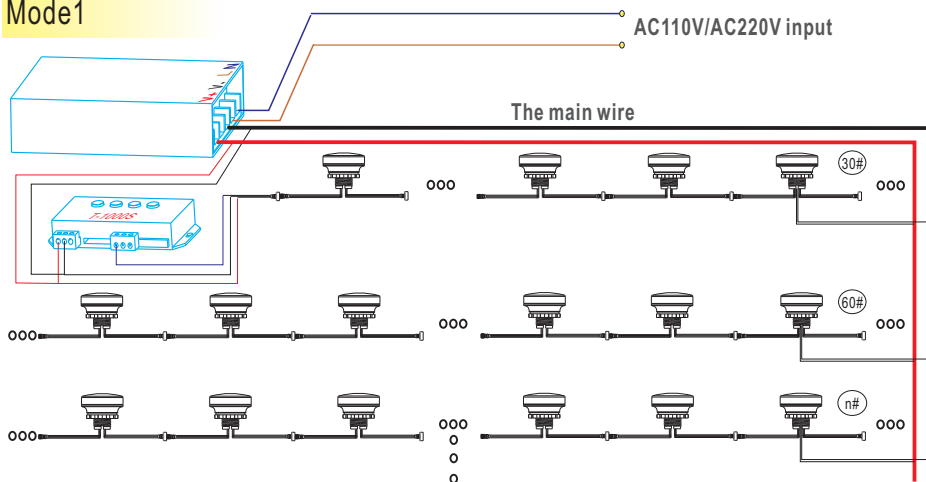
Spin this lid in a clockwise direction.



SHENZHEN AGLARE LIGHTING CO., LTD
 Web: www.aglare.cn / www.amusementlamp.com
 Email: aglare@aglare.cn
 Tel: +86-75588868631

Product Wiring Diagram

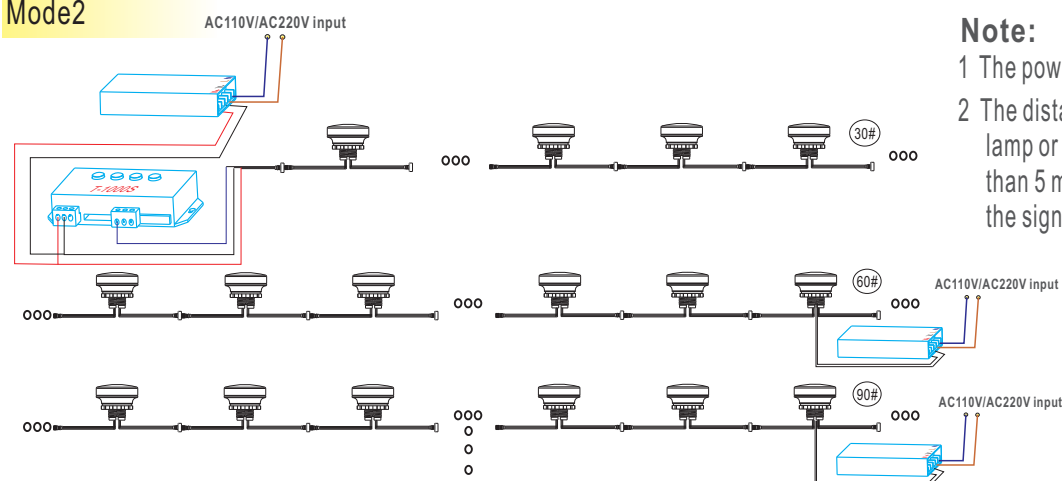
Mode1



Note:

- 1 The power supply output is DC24v, >n*1.9W
- 2 We offer one power wire for bulbs for per 30 pixel lamps
- 3 The main wire per square mm up to 10A current
- 4 The distance between the controller and the lamp or the lamp and the lamp must be less than 5 meters, Otherwise you need to connect the signal amplifier

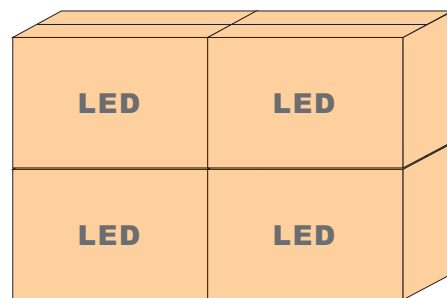
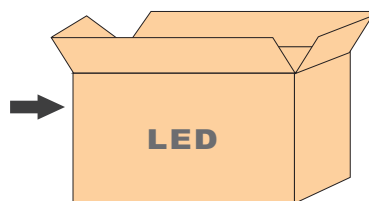
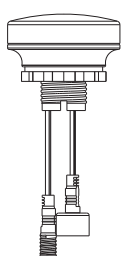
Mode2



Note:

- 1 The power supply output is DC24v, >57W
- 2 The distance between the controller and the lamp or the lamp and the lamp must be less than 5 meters, Otherwise you need to connect the signal amplifier

Product Package



WEIGHT/PCS	Box Size	G. W	PCS/CARTON	CARTON SIZE
41g	28*28*16cm	15.5KG	360	60*30*35cm

Instructions:

K=K Material Carton
Electrostatic bag

Caution

Please read the specification before used:

Working temperature range -25°C - 45°C

Working voltage range less than $\pm 10\%$

Please turn off the power before installation



SHENZHEN AGLARE LIGHTING CO., LTD
 Web: www.aglare.cn/www.amusementlamp.com
 Email: aglare@aglare.cn
 Tel: +86-75588868631