

Product Specification

| | |
|-------------|--------------------|
| Description | LED Amusement Lamp |
| Model NO | YJLED-004B-S18RGBW |

Product Picture



Ip65 CE 

Product Application



Amusement LED Lamps are widely used in the park, Theme park, amusement park and all kinds of amusement machines

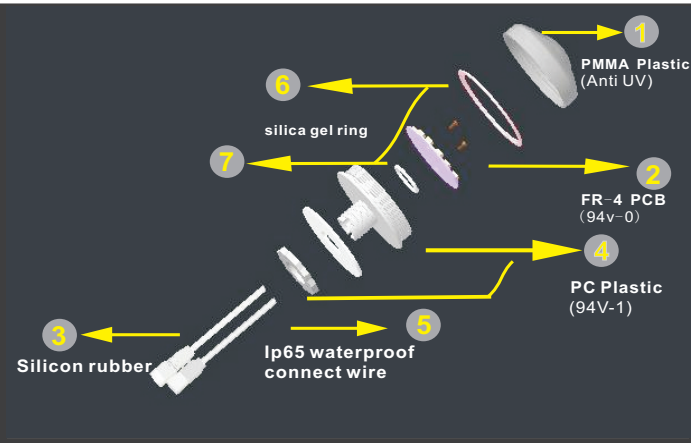


SHENZHEN AGLARE LIGHTING CO., LTD
Web: www.aglare.cn / www.amusementlamp.com
Email: aglarel@aglarel.cn
Tel: +86-75588868631

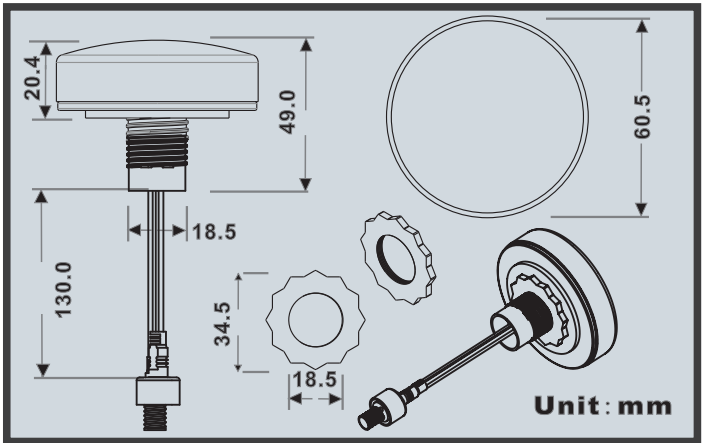
Product Structure



Product Material



Product size

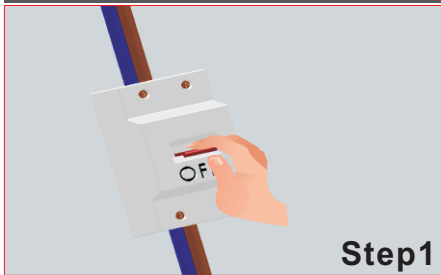


Product Parameters

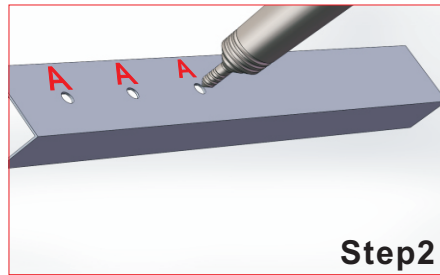
| Part No. | Voltage | Color | Watts | LEDs | IP | Beam angle | Weight |
|--------------------|---------|-------|-------|-------------------|------|------------|--------|
| YJLED-004B-S18RGBW | DC24V | | max5W | 18pcs RGBW5050 | Ip65 | 120° | 50g |

R: 625-630nm G: 520-525nm B: 465-470nm Y: 585-595nm O: 600-605nm P: 390-410nm

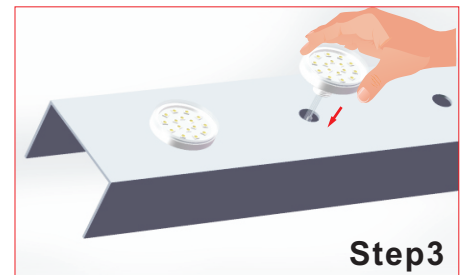
Product Installation



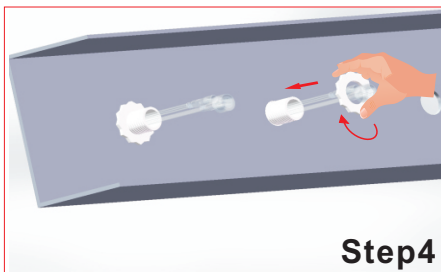
Turn off the power



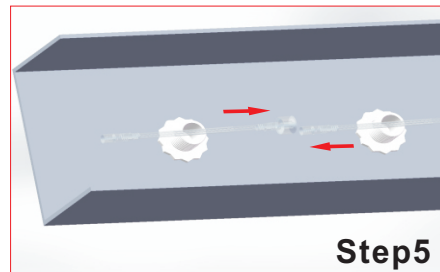
Drill hole ($\varnothing=19\text{mm}\sim 23\text{mm}$)
(A to A=100mm~200mm)



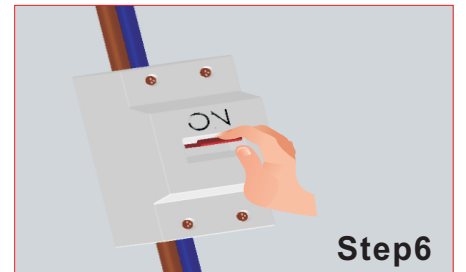
Through the lamp into the hole



Use the ring to lock this lamp.



Press the wire into the needle.



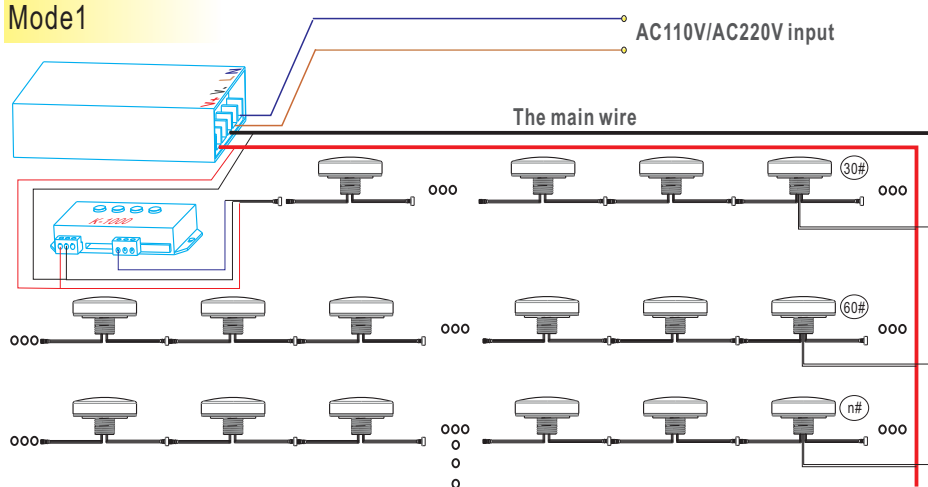
Spin this lid in a clockwise direction.



SHENZHEN AGLARE LIGHTING CO., LTD
 Web: www.aglare.cn/ www.amusementlamp.com
 Email: aglare@aglare.cn
 Tel: +86-75588868631

Product Wiring Diagram

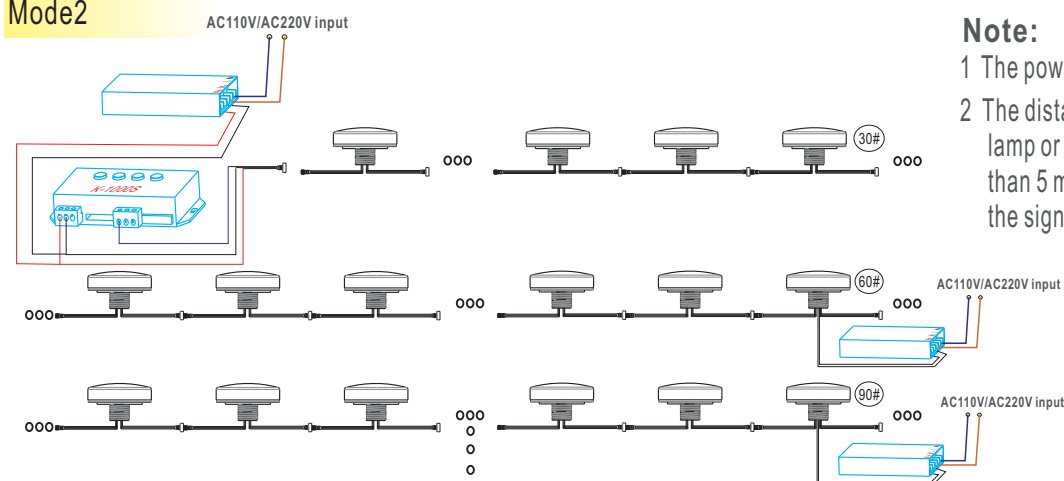
Mode1



Note:

- 1 The power supply output is DC24v, >n*5W
- 2 We offer one power wire for bulbs for per 30 pixel lamps
- 3 The main wire per square mm up to 10A current
- 4 The distance between the controller and the lamp or the lamp and the lamp must be less than 5 meters, Otherwise you need to connect the signal amplifier

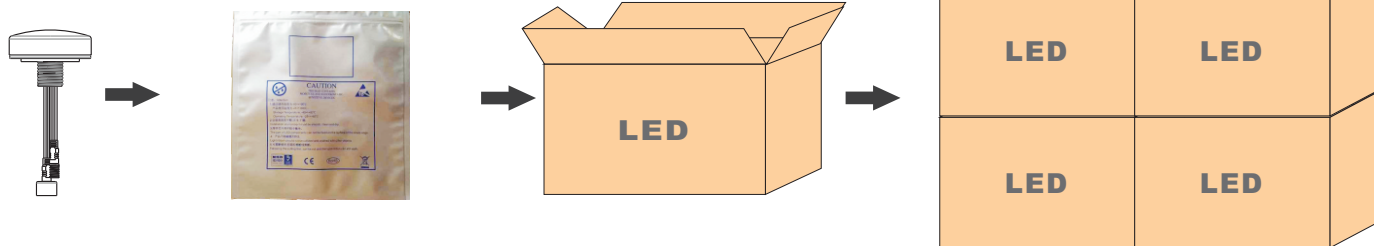
Mode2



Note:

- 1 The power supply output is DC24v, >150W
- 2 The distance between the controller and the lamp or the lamp and the lamp must be less than 5 meters, Otherwise you need to connect the signal amplifier

Product Package



| WEIGHT/PCS | Box Size | G. W | PCS/CARTON | CARTON SIZE |
|------------|------------|--------|------------|-------------|
| 50g | 28*28*16cm | 12.5KG | 250 | 60*30*35cm |

Instructions:

K=K Material Carton
Electrostatic bag

Caution

Please read the specification before used:

Working temperature range -25°C - 45°C

Working voltage range less than $\pm 10\%$

Please turn off the power before installation



SHENZHEN AGLARE LIGHTING CO., LTD
 Web: www.aglare.cn/www.amusementlamp.com
 Email: aglare@aglare.cn
 Tel: +86-75588868631