

# Product Specification

Description	LED Amusement Lamp
Model NO	YJLED-006E-ST14RGB

## Product Picture



Ip65 CE RoHS

## Product Application

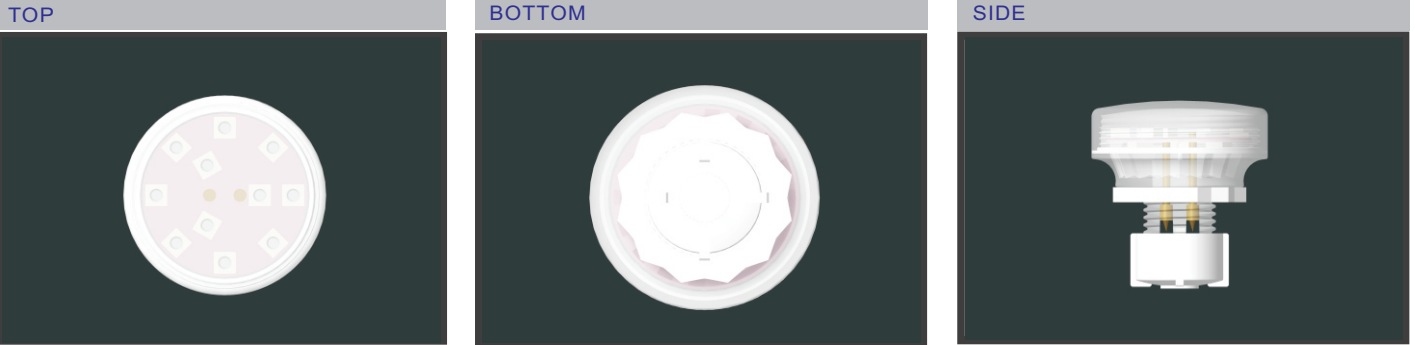


Amusement LED Lamps are widely used in the park, Theme park, amusement park and all kinds of amusement machines

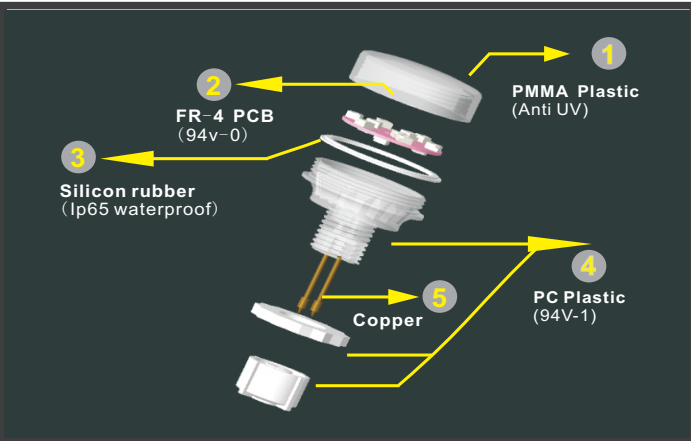


**SHENZHEN AGLARE LIGHTING CO., LTD**  
Web: [www.aglare.cn](http://www.aglare.cn) / [www.amusementlamp.com](http://www.amusementlamp.com)  
Email: [aglare@aglare.cn](mailto:aglare@aglare.cn)  
Tel: +86-75588868631

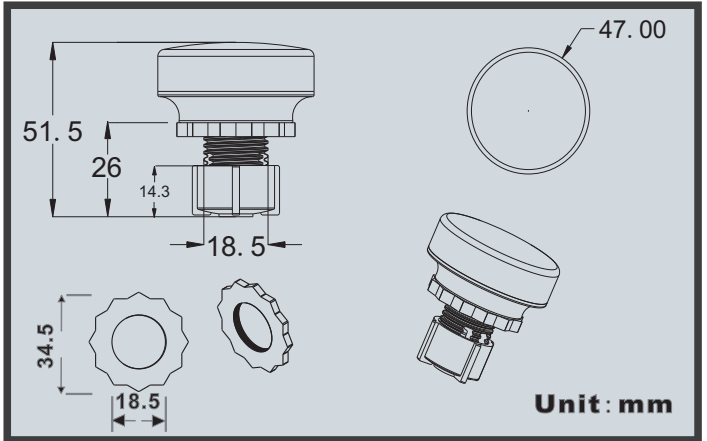
## Product Structure



## Product Material



## Product size

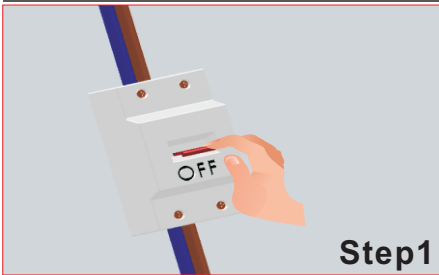


## Product Parameters

Part No.	Voltage	Color	Watts	LEDs	IP	Beam angle	Weight
YJLED-006E-ST14RGB	AC24V		max2.3W	14pcs RGB5050	Ip65	240°	34g

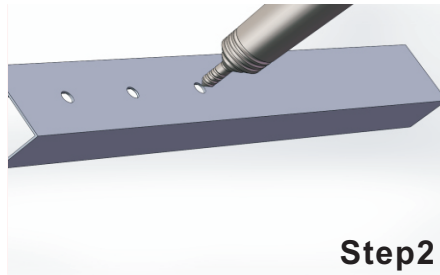
R: 625-630nm G: 520-525nm B: 465-470nm Y: 585-595nm O: 600-605nm P: 390-410nm

## Product Installation



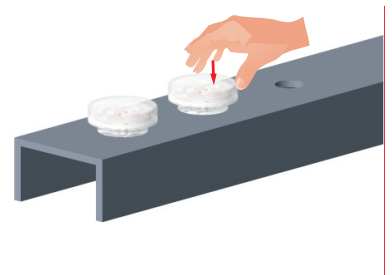
Step1

Turn off the power

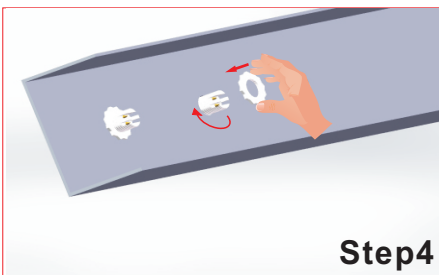


Step2

Dill hole( $\varnothing$ =19mm~23mm)

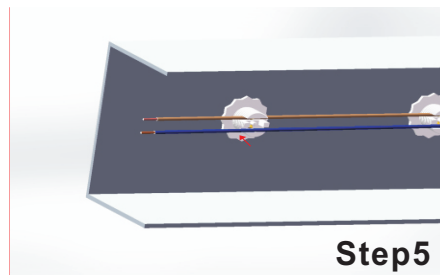


Through the lamp into the hole  
According to the order of 1-16



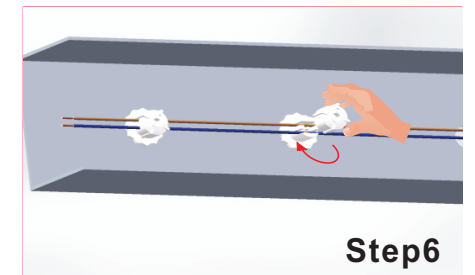
Step4

Use the ring to lock this lamp.



Step5

Press the wire into the needle.



Step6

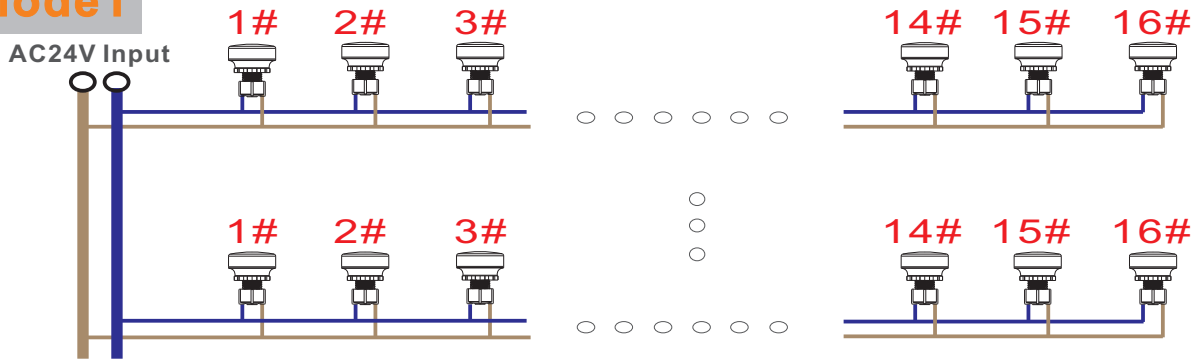
Spin this lid in a clockwise  
direction.



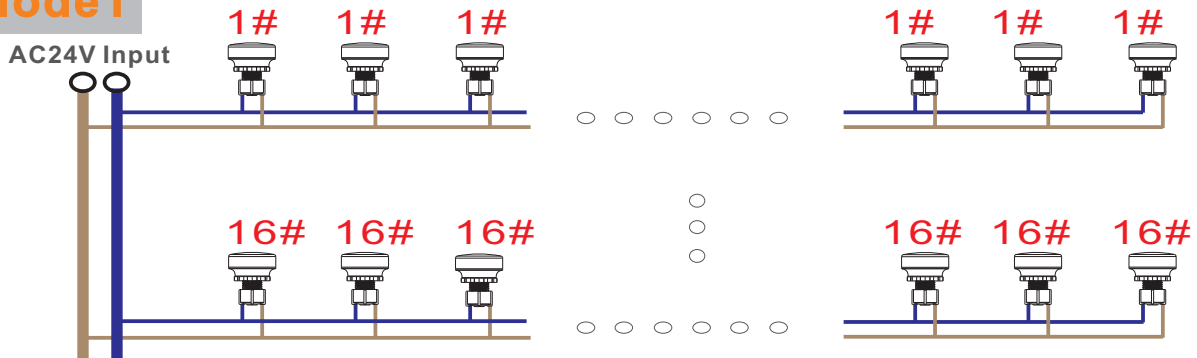
**SHENZHEN AGLARE LIGHTING CO., LTD**  
 Web: [www.aglare.cn/](http://www.aglare.cn/) [www.amusementlamp.com](http://www.amusementlamp.com)  
 Email: [aglare@aglare.cn](mailto:aglare@aglare.cn)  
 Tel: +86-75588868631

## Product Wiring Diagram

### Mode1



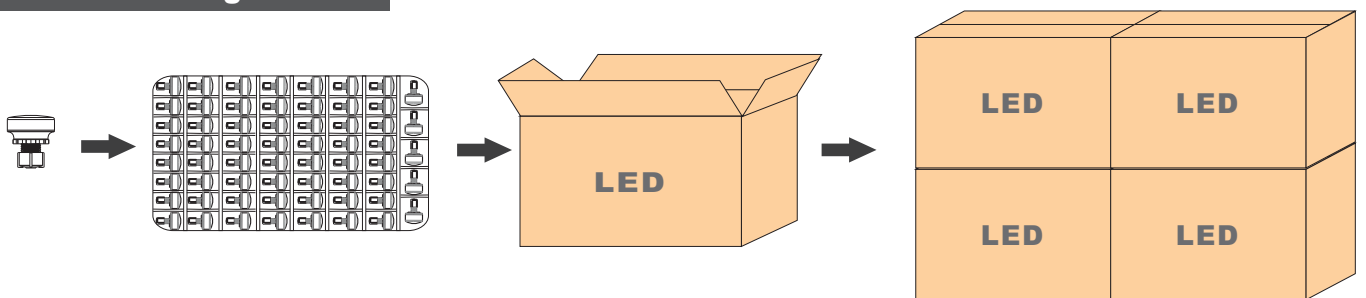
### Mode1



## NOTE:

- 1 The power of the lamp is max2.3W;input voltageAC24V
- 2 The main wire is recommended for each square MM maximum 10A current
- 3 Non overload use

## Product Package



WEIGHT/PCS	Blister Size	G. W	PCS/CARTON	CARTON SIZE
34g	60*35*37cm	17.7KG	488	61*36*38cm

## Instructions:

K=K Material Carton  
PVC blister box

## Caution

### Please read the specification before used:

Working temperature range  $-25^{\circ}\text{C}$ - $45^{\circ}\text{C}$

Working voltage range less than+ $_{-}10\%$

Please turn off the power before installation



**SHENZHEN AGLARE LIGHTING CO., LTD**

Web: [www.aglare.cn/](http://www.aglare.cn/)[www.amusementlamp.com](http://www.amusementlamp.com)

Email: [aglare@aglare.cn](mailto:aglare@aglare.cn)

Tel: +86-75588868631